

maxi winches



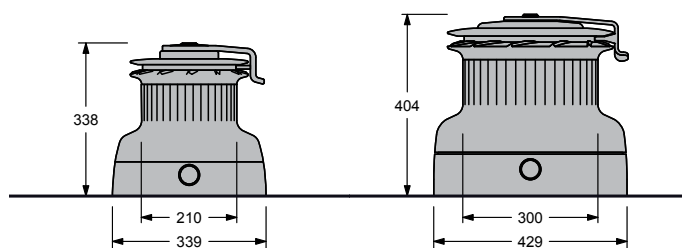
Mod. W80.3 ST

THREE REDUCED SPEED MAXI WINCHES W80.3 ST - W90.3 ST

Maxi winches for boats more than 20 m long. These models are almost always powered with electric motors or hydraulic motors and available only with a chromed drum (CH).

All the gears are fitted with roller bearings and the drum works on a very wide diameter roller-ball bearings.

The push-button on the base starts the first gear (the faster); second and third gear are automatically selected simply reversing the rotation of the handle.

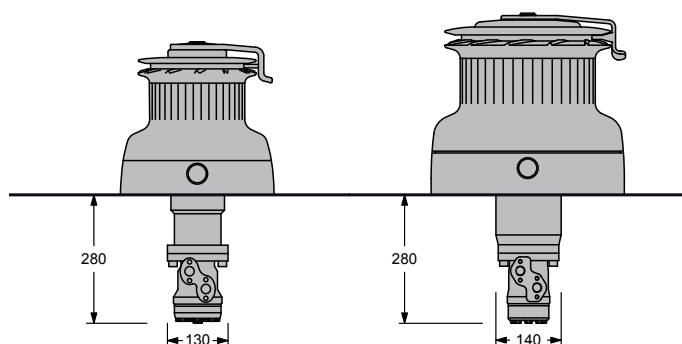


THREE SPEED WINCHES

MODEL	W80.3ST	W90.3ST
POWER P1-P2-P3	11.0 / 30.0 / 81.4	13.7 / 35.8 / 90.2
RECOVERY S1-S2-S3 (mm)	147 / 53 / 20	116 / 45 / 18
Ø LINE (mm)	12 / 22	16 / 30
WEIGHT CH (kg)	52.0	102.0
SCREWS N x Ø (mm)	8 x Ø10	8 x Ø12

HYDRAULIC MOTORS W80.3 HD - W90.3 HD

The maxi winches W80.3 and W90.3 can be powered by a hydraulic motor.



MODEL	W80.3HD	W90.3HD
LINE SPEED 1 (m/min)	22.0	18.0
LINE SPEED 2 (m/min)	8.0	7.0
LINE SPEED 3 (m/min)	3.0	2.5
WORKING LOAD (kg)	4000	8000
GLOBAL WEIGHT (kg)	63.4	118

HYDRAULIC MOTOR

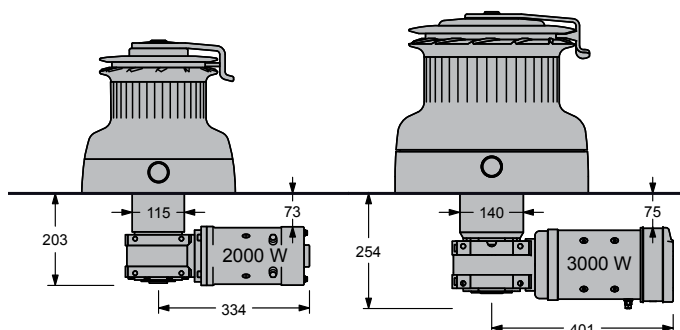
SIZE (cc)	160	200
PRESSURE (bar)	120	120
FLOW (l/min)	24	30

electric maxi winches

HORIZONTAL DRIVE - 2000 or 3000 W - 24 V W80.3ELH - W90.3ELH

Model W80.3 is fitted with a 2000 W (24 V) motor and model W90.3 with a 3000 W (24 V) motor.

For the circuit diagram and accessories, such as switches, control-boxes and breakers, see page 19.



THREE SPEED WINCHES

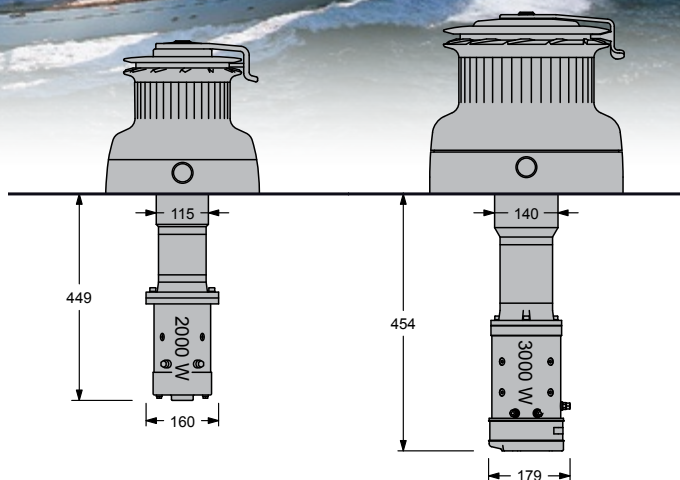
MODEL	W80.3ELH	W90.3ELH
LINE SPEED 1 (m/min)	22.0	18.0
LINE SPEED 2 (m/min)	8.0	7.0
LINE SPEED 3 (m/min)	3.0	2.5
WORKING LOAD (kg)	4000	8000
GLOBAL WEIGHT (kg)	75.0	145.0
MOTOR (W)	2000	3000

Marisa - Perini Navi - Photo Rabinowitz

VERTICAL DRIVE - 2000 or 3000 W - 24 V W80.3ELV - W90.3ELV

Vertical drive version is also available for models W80.3 and W90.3 (2000 W on the 80.3, 3000 W on the 90.3, both 24 V) with a hypocycloidal gearbox.

For the circuit diagram and accessories, such as switches, control-boxes and breakers, see page 19.



THREE SPEED WINCHES

MODEL	W80.3ELV	W90.3ELV
LINE SPEED 1 (m/min)	22.0	18.0
LINE SPEED 2 (m/min)	8.0	7.0
LINE SPEED 3 (m/min)	3.0	2.5
WORKING LOAD (kg)	4000	8000
GLOBAL WEIGHT (kg)	75.0	145.0
MOTOR (W)	2000	3000