

mast blocks

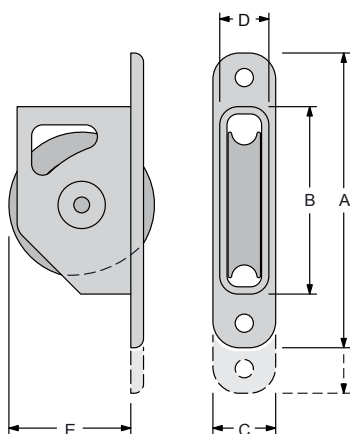
MAST BLOCKS

11 different sizes with diameters from 40 to 120 mm for working loads (SWL) up to 7000 kg.

Hard black anodized aluminium frame with insulating washers for corrosion protection.

Resin sheaves (aluminium sheaves for 100 and 120 mm only) with composite fibre main bearing (not on size 40) and double side self-captive ball bearing.

On request custom models for higher loads are also available.



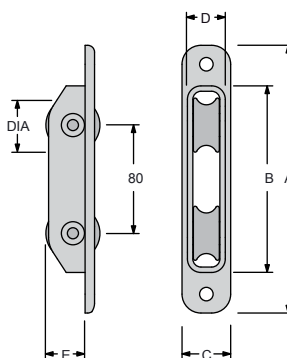
Mod. 00818

MODEL	DIA mm	Ø LINE mm	A mm	B mm	C mm	D mm	E mm	SWL kg	WEIGHT kg	BOLTS N° x Ø mm
00418	40	8	99	58	24.2	18.2	31.5	400	0.07	2 x Ø6
00518	50	12	118	69.5	29.5	22.5	37	800	0.12	2 x Ø6
00618	60	12	130	81.5	29.5	22.5	49	800	0.15	2 x Ø6
00718	70	12	140	91.5	29.5	22.5	53.5	1300	0.16	2 x Ø6
00718/Z			158					2000		
00818	80	14	162	103	34.5	27	62.5	2200	0.24	2 x Ø8
00818/Z			187					3000		
01018	100	16	198	126	39	31	81.5	3500	0.44	2 x Ø10
01018/Z			226					4500		
01218	120	18	251	151	47	37	103	5000	0.97	3 x Ø10
01218/Z			263					7000		

DUAL SHEAVE MAST BLOCK

The Dual sheave mast block with 2 x 40 mm sheaves for lines up to 16 mm solves the problem of the wear of the halyards coming out of the mast.

This solution is also suitable for running a line from above to below deck.



Mod. 00418/D

00418/D	2 x 40	16	198	138	36	28	29	2500	0.26	2 x Ø8
---------	--------	----	-----	-----	----	----	----	------	------	--------